



Play Strong.

Instruction Manual for Installation of:

Age Group:

# IMPORTANT PROTECTIVE SURFACING NOTES

- Numerous studies have shown that the majority of playground injuries are caused by falls.
- All play equipment with a fall height above the finished grade shall be located on a protective surface that extends around it to cover the protective surfacing zone.
- See Clause 10 of CAN/CSA-Z614-20 for protective surfacing requirements and recommendations.
- **DO NOT ALLOW CHILDREN TO PLAY ON THE EQUIPMENT UNTIL THE PROTECTIVE SURFACING HAS BEEN INSTALLED!**

For more information, consult your CAN/CSA-Z614-20 "Children's Playground Equipment & Surfacing", or contact your local Blue Imp Representative.

# AGE GROUP & WARNING LABELLING

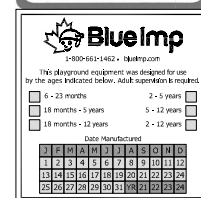
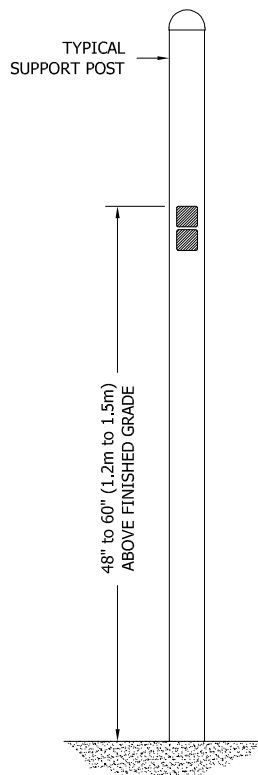
All play equipment and structures must have permanently attached labels for the following:

- Manufacturer's identification and contact number.
- Age groups for which the equipment has been designed.

## ADHESIVE LABEL APPLICATION INSTRUCTIONS:

Labels are contained within a small envelope included with your Instruction Package. Apply the Labels as follows:

- Refer to the Cover Page of each Installation Instruction to determine which Age Group labels are appropriate for that item. (*Note: for Swings containing only "Tot" or "Accessible" Seats, the Age Group will be 2-5. For Swings containing only "Belt" or "Soft Edge" Seats, the Age Group will be 5-12. For Swings containing both seat types, the Age Group will be 2-12.*)
- Age labels will have been marked with appropriate equipment age groups and date of manufacture at factory.
- Choose a location that is easily seen, near the main entrance to the structure, and at eye level where it will be noticed.
- Labels adhere best to painted surfaces - do not apply to plastic or vinyl-coated components.
- Make sure the surface is clean and dry before applying the label.
- Peel away backing sheet and place label in position.
- For larger, composite structures, apply labels in two or more locations.

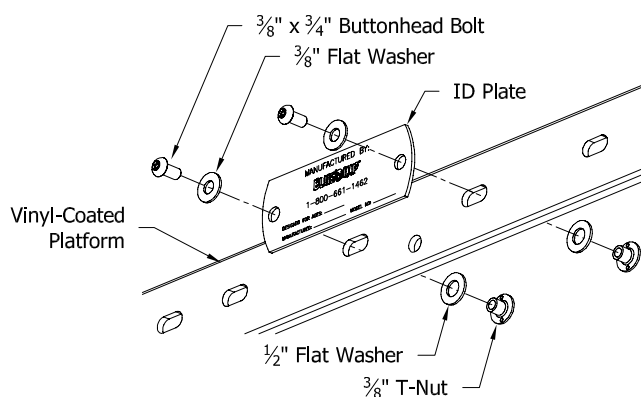


(example given of an unmarked age label)

## ID PLATE MOUNTING INSTRUCTIONS:

Some composite structures will be supplied with a metal ID Plate, enclosed within the envelope that contained these installation instructions.

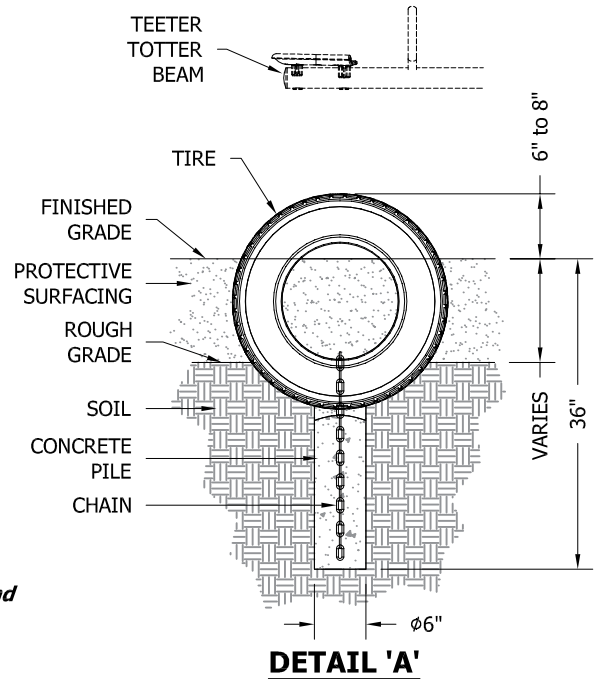
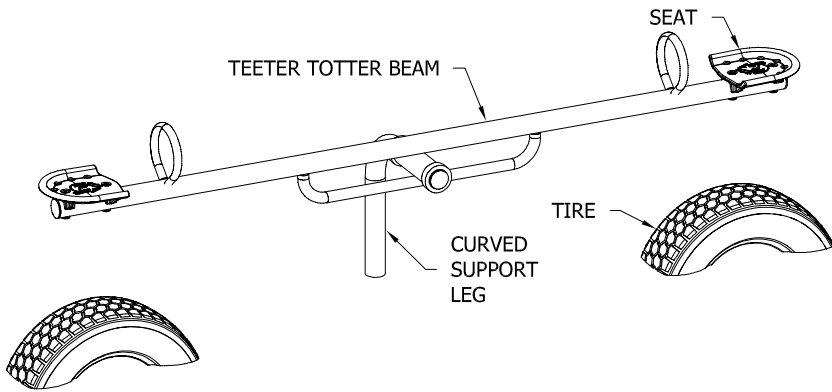
- The ID Plate should be permanently attached to the face of a vinyl-coated platform on the composite structure, in a readily identifiable and visible location.
- Attach the ID Plate to the face of the platform using (2)  $\frac{3}{8}$ " x  $\frac{3}{4}$ " Buttonhead Bolts, (2)  $\frac{3}{8}$ " Flat Washers, (2)  $\frac{1}{2}$ " Flat Washers, and (2)  $\frac{3}{8}$ " T-Nuts.



## GENERAL ASSEMBLY NOTES: CONCRETE PILE INSTALLATION

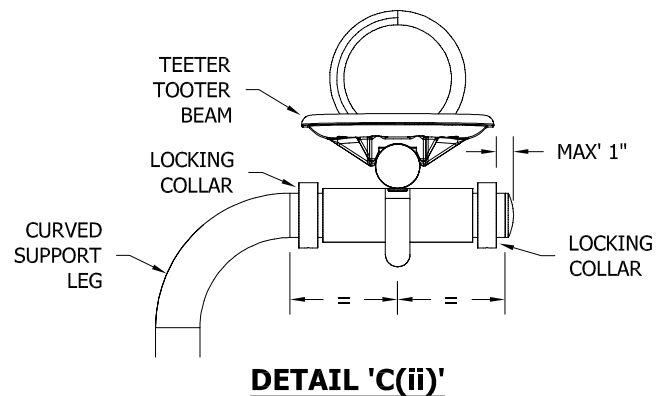
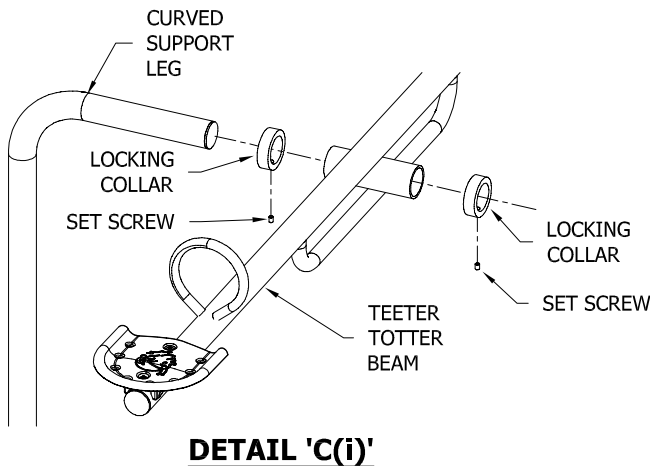
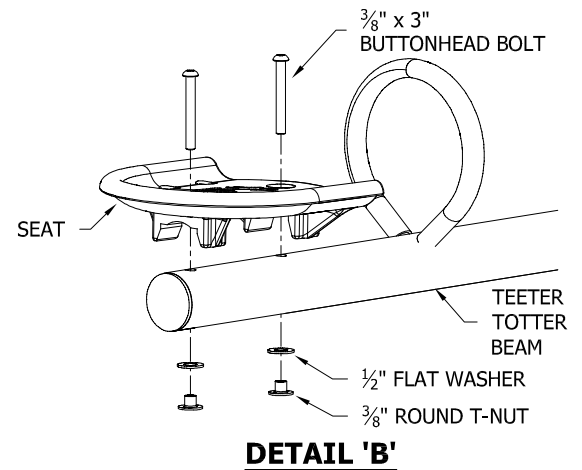
- 1) Read ALL instructions prior to assembly of equipment.
- 2) Drill all Pile Holes as per PILE LAYOUT, and remove tailings from site.  
*(Note: All Pile Hole depths are measured from Finished Grade. Subtract the depth of safety surfacing to determine depth of Pile Holes measured from Rough Grade).*
- 3) Place Support Posts into Pile Holes. Refer to POST ANCHORMENT instruction for blocking requirements. Ensure that the correct length of Post is placed into each Pile Hole, as indicated on the PLAN LAYOUT.  
*(Note: DO NOT POUR CONCRETE AT THIS STAGE).*
- 4) Attach Platforms to the Posts, at the heights shown on the PLAN LAYOUT, and using the procedure described in the PLATFORM INSTALLATION instruction.
- 5) Ensure that all posts are plumb and correctly levelled, and install all other components, using the procedures described in the installation instructions that follow. Install Safety Rungs and D-Rails last. *Note: Some component support legs may require shortening to fit into Pile Holes.*
- 6) Verify that Posts are plumb and level, and pour concrete into the Pile Holes, to between 2" and 4" below Rough Grade. Crown the top surface of the concrete to ensure positive drainage away from Posts and Support Legs, etc.
- 7) Complete all remaining site work - Safety Surfacing, Border Timbers, etc.

# CN-49 TEETER TOTTER (Page 1 of 2)



### INSTALLATION INSTRUCTIONS:

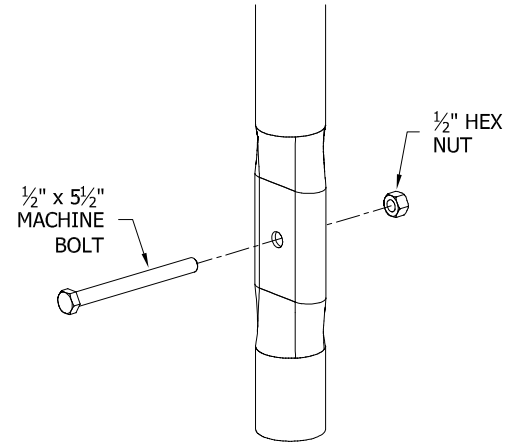
1. Dig Pile Holes as shown on Pile Layout. **Note: The  $\phi 6''$  Pile Holes for Tire anchoring may require widening at the top to accommodate the Tire, and to ensure that the amount of Tire exposed above finished grade level is approximately 6" to 8".**
2. Pour concrete into the  $\phi 6''$  Pile Holes only, keeping the top of the concrete 2" to 4" below rough grade level to prevent frost heave.
3. While the concrete is still wet, place a 6ft length of Chain through each Tire, so that approximately 3ft of Chain hangs down on each side of the Tire, and then push both ends of the Chain into the wet concrete. Ensure that each Tire stands upright over the Pile Hole, and is aligned in the direction of the Teeter Totter Beam, with minimal slack in the Chain that emerges from the concrete. See DETAIL 'A'.
4. Attach Seats to Teeter Totter Beam using (2)  $\frac{3}{8}'' \times 3''$  Buttonhead Bolts, (2)  $\frac{1}{2}''$  Flat Washers, and (2)  $\frac{3}{8}''$  Round T-Nuts per Seat. See DETAIL 'B'.
5. Slide one Locking Collar onto the Curved Support Leg, followed by the Teeter Totter Beam, and then the second Locking Collar. Orient the Locking Collars so that the Set Screws face downwards. See DETAIL 'C(i)'. Ensure that the Teeter Totter Beam is centered on the horizontal portion of the Curved Support Leg, and that the end of the Curved Support Leg does not extend beyond the Locking Collar by more than 1". See DETAIL 'C(ii)'. Tighten all Set Screws.



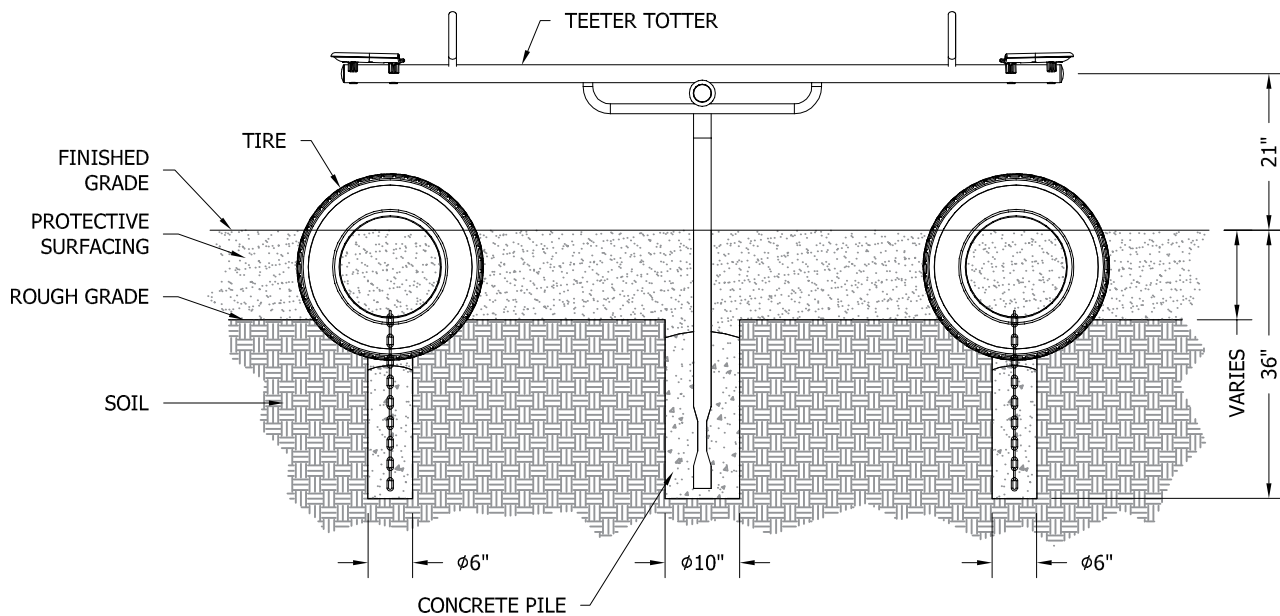
# CN-49 TEETER TOTTER (Page 2 of 2)

## INSTALLATION INSTRUCTIONS (cont'd):

6. Insert (1)  $\frac{1}{2}$ " x  $5\frac{1}{2}$ " Machine Bolt through the hole in the bottom of the Teeter Totter Curved Support Leg, and secure the bolt in place with (1)  $\frac{1}{2}$ " Hex Nut. Note: After Fully tightening the Hex Nut, the bolt may still be loose within the leg - this is normal, and movement of the bolt is not a problem. SEE DETAIL 'D'.
7. Place the Curved Support Leg of the assembled Teeter Totter into the  $\varnothing 10$ " pile hole. Use blocking as required to ensure that the Curved Support Leg is vertical, with the centre of the Teeter Totter Beam at a height of 21" above finished grade, and with the Teeter Totter Beam centered over the two Tires installed in Step 3. Pour concrete, keeping the top of the concrete 2" to 4" below the top of the pile hole. See DETAIL 'E'.



**DETAIL 'D'**

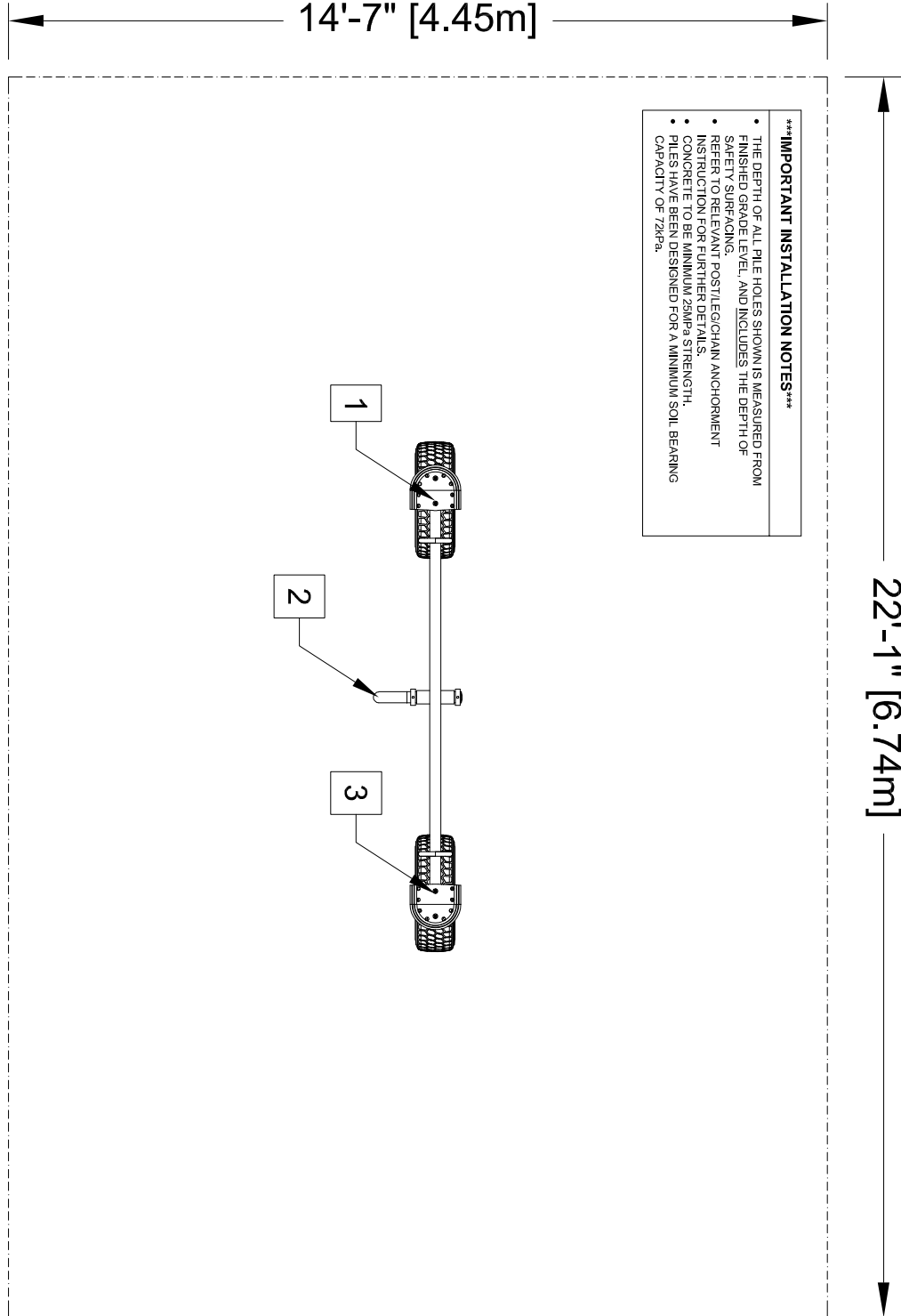


**DETAIL 'E'**

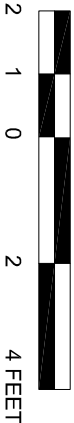


**\*\*\*IMPORTANT INSTALLATION NOTES\*\*\***

- THE DEPTH OF ALL PILE HOLES SHOWN IS MEASURED FROM FINISHED GRADE LEVEL, AND INCLUDES THE DEPTH OF SAFETY SURFACING.
- REFER TO RELEVANT POST/LEG-CHAIN ANCHORMENT INSTRUCTION FOR FURTHER DETAILS.
- CONCRETE TO BE MINIMUM 25MPa STRENGTH.
- PILES HAVE BEEN DESIGNED FOR A MINIMUM SOIL BEARING CAPACITY OF 72kPa.



PILE HOLE CO-ORDINATES				
Pile #	X distance	Y distance	Diagonal	Pile Size
1	7'-6 1/2"	7'-7 1/2"	10'-8 1/2"	Ø6"x36" Deep
2	11'-0 1/2"	6'-7"	12'-10 1/2"	Ø10"x36" Deep
3	14'-6 1/2"	7'-7 1/2"	16'-5"	Ø6"x36" Deep



- CONFORMS TO THE CAN/CSA-Z614-20 STANDARD "CHILDREN'S PLAYGROUND EQUIPMENT AND SURFACING"
- PERIMETER SHOWN REPRESENTS EXTENT OF REQUIRED SAFETY SURFACING. WIDTH OF BORDER MATERIAL MUST BE ADDED BEFORE EXCAVATION!

- CONFORMS TO ANNEX "H" OF THE CAN/CSA-Z614-20 STANDARD "CHILDREN'S PLAYGROUND EQUIPMENT AND SURFACING" (SUBJECT TO THE PRESENCE OF ACCESSIBLE SURFACING)

TEETER TOTTER

LAYOUT #: CN-49  
JOB #:

RECOMMENDED AGES: 5-12  
PROTECTIVE SURFACING REQUIRED:  
AREA: 323 (sq.ft) PERIMETER: 74 (ft)  
DRAWN BY: JI DATE: 8-JUN-10

2	REGISTERED	SM	17-APR-24
1	ADD PILE HOLES FOR TIRE CHAINS	EH	5-JUN-12

PLAN



724 - 14TH STREET S.W., MEDICINE HAT, AB, T1A 4V7  
TOLL FREE: 1-800-661-1462 FAX: (403) 529-0851  
E-MAIL: sales@blueimp.com WEBSITE: www.blueimp.com

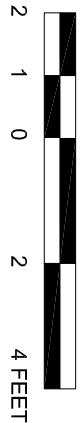
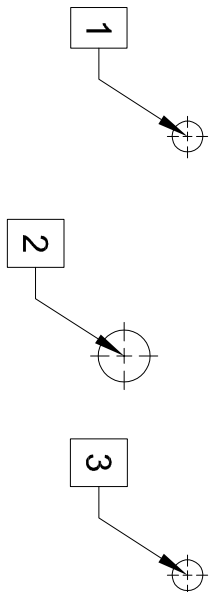


22'-1" [6.74m]

14'-7" [4.45m]

**\*\*\*IMPORTANT INSTALLATION NOTES\*\*\***

- THE DEPTH OF ALL PILE HOLES SHOWN IS MEASURED FROM FINISHED GRADE LEVEL, AND INCLUDES THE DEPTH OF SAFETY SURFACING.
- REFER TO RELEVANT POSTLEGCHAIN ANCHORMENT INSTRUCTION FOR FURTHER DETAILS.
- CONCRETE TO BE MINIMUM 25MPa STRENGTH.
- PILES HAVE BEEN DESIGNED FOR A MINIMUM SOIL BEARING CAPACITY OF 72kPa.



PILE HOLE CO-ORDINATES				
Pile #	X distance	Y distance	Diagonal	Pile Size
1	7'-6 1/2"	7'-7 1/2"	10'-8 1/2"	Ø6"X36" Deep
2	11'-0 1/2"	6'-7"	12'-10 1/2"	Ø10"X36" Deep
3	14'-6 1/2"	7'-7 1/2"	16'-5"	Ø6"X36" Deep

PILE

2	REGISTERED	SM	17-APR-24
1	ADD PILE HOLES FOR TIRE CHAINS	EH	5-JUN-12

- CONFORMS TO THE CAN/CSA-Z614-20 STANDARD "CHILDREN'S PLAYGROUND EQUIPMENT AND SURFACING"
- PERIMETER SHOWN REPRESENTS EXTENT OF REQUIRED SAFETY SURFACING. WIDTH OF BORDER MATERIAL MUST BE ADDED BEFORE EXCAVATION!
- CONFORMS TO ANNEX "H" OF THE CAN/CSA-Z614-20 STANDARD "CHILDREN'S PLAYGROUND EQUIPMENT AND SURFACING" (SUBJECT TO THE PRESENCE OF ACCESSIBLE SURFACING)

TEETER TOTTER

LAYOUT #: CN-49  
JOB #:

RECOMMENDED AGES: 5-12  
PROTECTIVE SURFACING REQUIRED:  
AREA: 323 (sq.ft) PERIMETER: 74 (ft)  
DRAWN BY: JI DATE: 8-JUN-10

724 - 14TH STREET S.W., MEDICINE HAT, AB, T1A 4V7  
TOLL FREE: 1-800-661-1462 FAX: (403) 529-0851  
E-MAIL: sales@blueimp.com WEBSITE: www.blueimp.com